

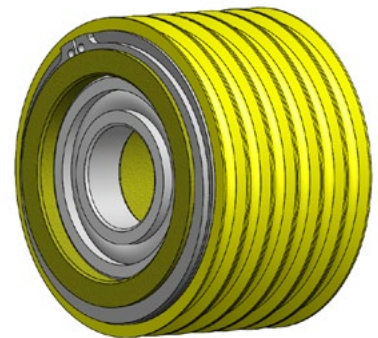
Schwartz Technical Plastics presents

A New Generation of Deflection Pulleys

Components of new elevators need to be space saving to increase shaft efficiency. This task applies to existing buildings as well as to new installations and brings new elevator solutions. Small rope diameters, new traction media and smaller D/d ratio can be supported by smaller deflection pulleys.

The innovation: OPTAMID® EasyFlex® Pulley

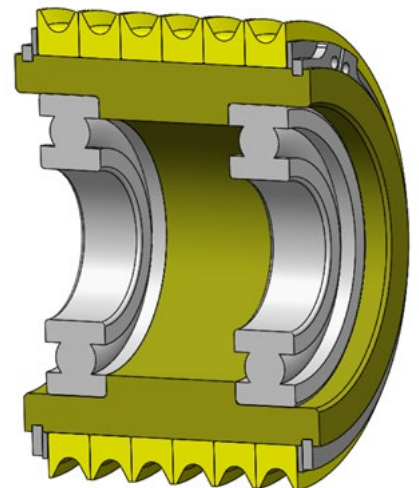
Our patented OPTAMID® EasyFlex® has exactly been developed to support the space saving requirements. As a general rule all ropes or similar traction media should have most equal tension. EasyFlex® allows a length adjustment over the deflection pulleys to the end fittings. OPTAMID® EasyFlex® pulleys are available in diameters Ø 240, 160 and 120 mm to support MRL benefits.



NEW: Smart Technique

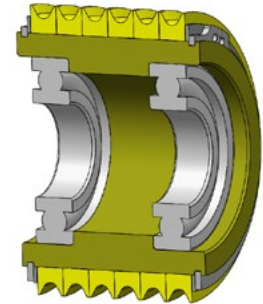
On a polyamid-basic body groove segments are mounted which can move independently. This revolutionary construction brings a number of benefits to elevator producers and operating companies:

- Easy and quick rope installation with multiple deflection pulleys
- Easy installation and adjustment of small ropes and plastic coated ropes
- Separate rings allow that each and every rope can move independently
- Shorter installation time
- Equal rope tension resulting in a noticeable longer rope life time up to 1.8 times
- Lower weight of an OPTAMID® EasyFlex® Pulley compared to a steel or cast iron sheave (lighter material and lighter construction)
- Measurable reduction of Life Cycle Costs
- Noticeable increase of elevator comfort



Schwartz Technical Plastics presents

A New Generation of Deflection Pulleys



Extensive tests with OPTAMID® EasyFlex® have been performed on in house set ups as well as demanding site applications considering the interaction of plastic coated ropes and deflection pulleys. Using conclusions from expert interviews and market research, the following table shows the standardized product portfolio of OPTAMID® EasyFlex®*:

The OPTAMID® EasyFlex® series

| Diameter Ø D [mm] | 120 | | 160 | | 240 | |
|-------------------------------|----------------|----------|----------------|----------|----------------|----------|
| Number of grooves alternative | 4 | 6 | 6 | 8 | 6 | 10 |
| Ropes diameter alternative | 6.0 - 6.5; 8.1 | | 6.0 - 6.5; 8.1 | | 6.0 - 6.5; 8.1 | |
| Groove distance [mm] | 12 | 12 | 12 | 12 | 12 | 12 |
| Bearing type | 6307 2RS | 2BS-2207 | 6309 2RS | 6311 2RS | 6309 2RS | 6312 2RS |
| Axes diameter [mm] | 35 | 35 | 45 | 55 | 45 | 60 |
| Width of EasyFlex® [mm] | 63 | 87 | 87 | 111 | 88 | 136 |

*special solutions are available on request

Maximum shaft loads vs. rope speed at pulley

Two branded quality bearings per pulley

Nominal bearing lifetime L10h=7,000h

